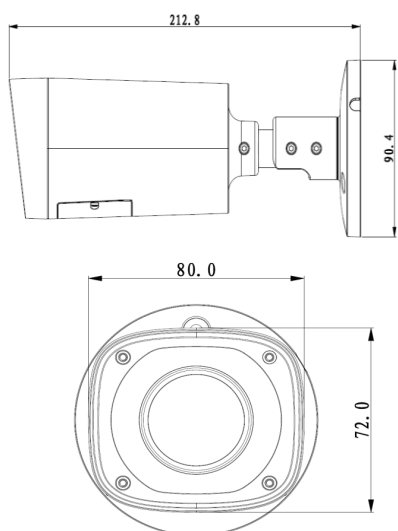




Features

- 1/2.9" 1.3 Megapixel CMOS
- 25/30fps@960P
- High speed, long distance real-time transmission
- Day/Night(ICR), AWB, AGC, BLC, 2DNR
- 2.7-12 mm fixed lens
- Max. IR LEDs length 60m, Smart IR
- IP67, DC12V

Dimensions



Specifications

Model	KB - 1305C
Camera	
Image Sensor	1/2.9" 1.3 Megapixel CMOS
Effective Pixels	1280(H)×960(V)
Electronic Shutter	1/50s~1/100,000s
Video Frame Rate	25/30 fps@960P
Synchronization	Internal
Mini. Illumination	0.05Lux/F2.0, 0Lux IR LED on
Video Output	1-channel BNC HDCVI high definition video output
Camera Features	
Max. IR LEDs Length	60m, Smart IR
Day/Night	Auto(ICR) / Color / B/W
Noise Reduction	2D
Lens	
Focal Length	2.7-12mm
Angle of View	H:92° ~ 28°
Mount Type	M12
General	
Power Supply	DC12V±10%
Power Consumption	Max 7W
Working Environment	-30°C ~ +60°C / Less than 95%RH (no condensation)
Transmission Distance	Over 800m via 75-3 coaxial cable
Ingress Protection	IP67
Dimensions(W×D×H)	72 mm x 80mm x 212.8mm
Weight	0.65 Kg
Material	Metal (front) + Plastic (body)